



Innovative car wash manufacturer

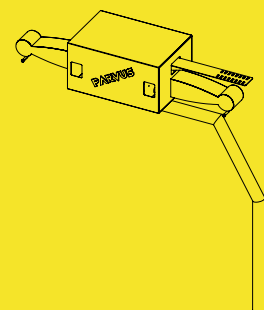


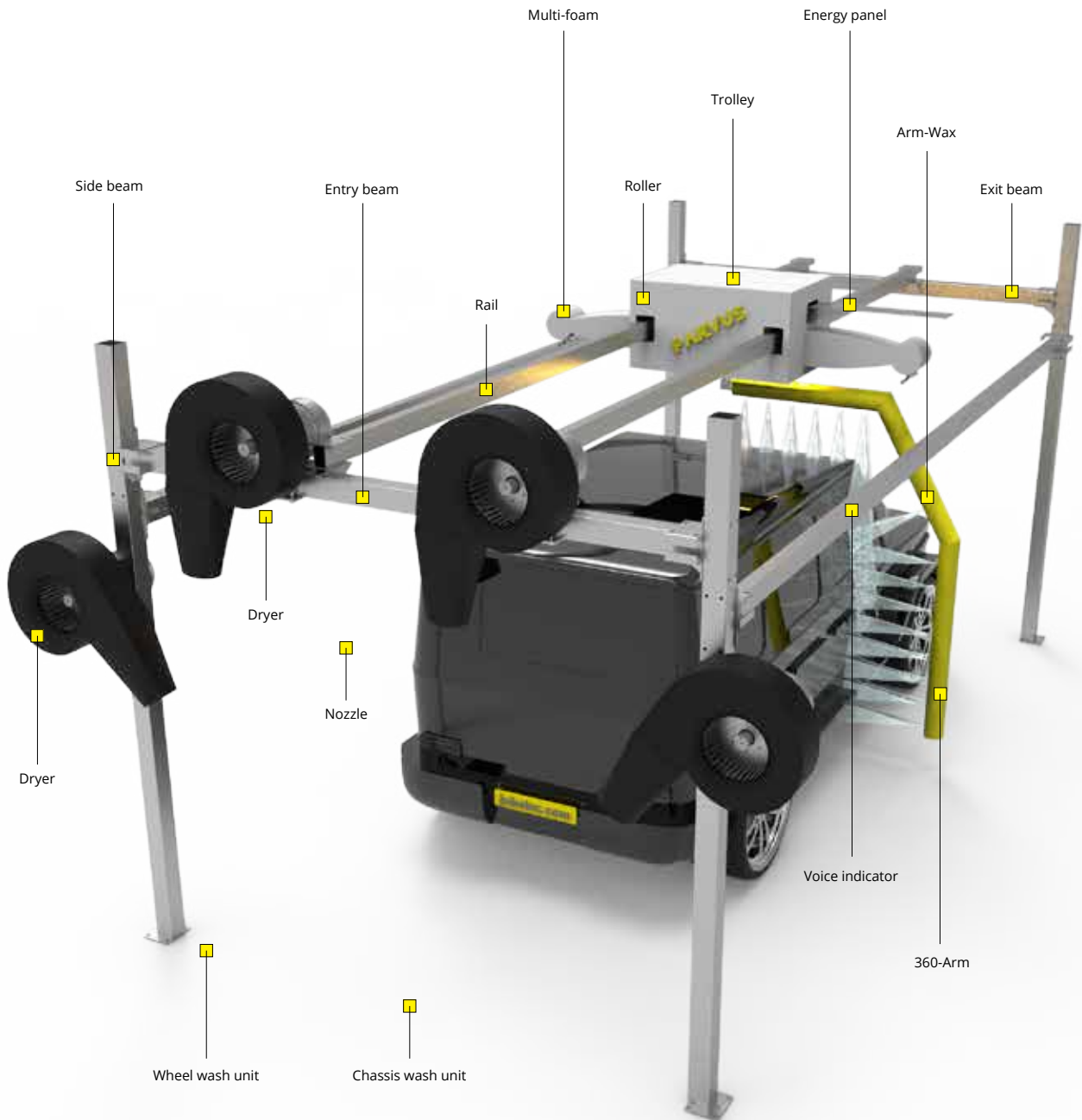
JET PRESOAK FOAM HP WATER



JUBO® TOUCHLESS CAR WASH SYSTEM - PARVUS

Ventus means small in latin





- 2 EQUIPMENT OVERVIEW
- 3 WHY JUBO PARVUS
- 4 VENTUS OVERVIEW
- 6 FEATURES & BENEFITS
- 8 WASHING STEPS
- 10 SPECIFICATIONS

- 12 STANDARD & OPTIONS
- 14 ADDITIONAL OPTIONS
- 16 INTERIOR CLEANING
- 18 DETERGENT
- 20 PARTNERSHIP
- 21 SERVICE

WHY JUBO PARVUS

* Technology

JUBO PARVUS comes with the simplest technologies leading in car wash industry, with #touchless #presoak #hpwater #dryer(optional) #armwax(optional) #led(optional) #chassiswash #wheelwash #bugprep(optional) #multifoam(optional) #360arm #360guard #nativevoice #nativesign etc. new techs. PARVUS settled as low-level touchless featured with optional frame mounted dryer.

* Robotic

PARVUS is a robotic automatic car wash machine, operating with computerized system, the washing task will be accomplished by a robot without human efforts, each motion calculated precisely by system, each distance detected by sensor, washing quantity recorded in the report, human hands liberated. car wash industry has entered automatic era, robot is an irresistible trend.

* Integration

JUBO PARVUS car wash system integrate functions which are working together with chassis(underbody) wash unit, wheel wash unit, bug-prep(optional) , pre-soak, multi-foam(optional) ,HP water, Wax(optional) , dryer(optional) , spotless(optional) . PARVUS also combine the separated structural components in the bridge such as energy system, pneumatic system, sensors system, chemical dosing system, control system etc.

* Revenue

Revenue created by minute, 100+ washes/day, flexible 2-10min/wash adjustable, thanks to the #pre-soak and #multi-foam technology the customers invites more friends to wash in PARVUS due cleanliness satisfied, thanks to the smart-360 technology the operator can put parameter to control the speed so to improve revenue obtainment. washing sites' owner, with the renovative functions and modern designs and led illuminations to enhance revenue throughput.

* Simple

Simple design, simple structure, simple installation, simple facility, simple function, simple movements, simple core, simple feature, only simple make it reliable, so simplicity is most important fact for a machine keep running non-stop.

* Safety

With #360guard technology, the arm will securely stop to protect self and objects from the unexpected accident occurred casually in any case.

* Eco-Friendly

Innovative technology like optimal heat recycles and natural energy (SUN, WIND) used on the system will create less carbon dioxide, biofriendly chemicals are suggested to be used for sustainable development.

* Partnership

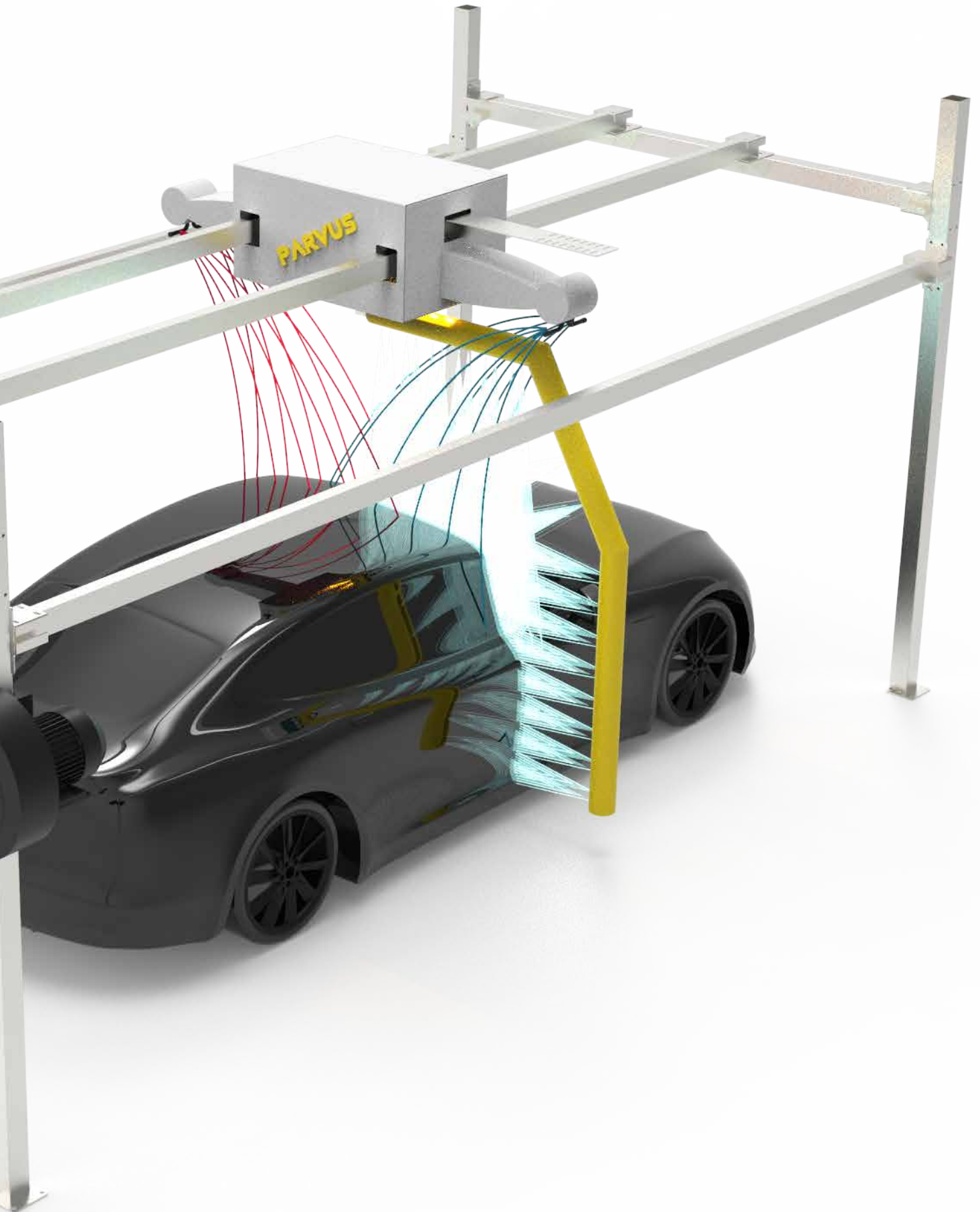
JUBO is open to the globe, be partners to follow innovation and grow together.

* China

JUBO headquartered in China, with all series production chain support, it will be easy to supply goods and easy transport via SHANGHAI port to the whole world.

SIMPLE & POWERFUL TO ENJOY PARVUS CAR WASH







HP-water

High pressure rinse around the car with aggressive sector nozzle blasting as a pressurized water blade, water pressure reaches to 50-120bar equal to 700-1750psi.

HP is the most important key to clean car.



Frame-Dryer

Most of dryers put outside of bridge, but in Ventus, the dryers are integrated in the bridge so it moves forward and backward overhead the cars.

With computer system precise calculations the dryer can move in a pre-defined velocity so the drying result is better than the gantry-mounted dryer.

Smart dryers detect the car length and stop on the car rear position precisely.

With Rain-Wax, the car seems shiny.



Arm-Wax

Arm-Wax is a synthetic hydrophobic surface-applied foam that forces water to bead and roll off of the car, often without needing wipers.

Arm-Wax consists of Polydimethylsiloxane (PDMS). Try saying that five times fast (ba dum tss). The carbons in PDMS are non-polar, just like the carbons in oil.

The balls of water run off the glass surface very easily, Rain-Wax used before dryer, so they are couple.

Wax applied from 360 Arm in PARVUS.



Pre-soak(Low/high ph)

Presoak is specifically designed to remove heavy soils and dirt. Tough grime composed of grease, oils and dirt.

Ventus specializes in utilizing High pH and Low pH presoaks for true Touchless cleaning. Standard with 1 pre-soak, the 2nd pre-soak is optional.

Pre-soak is key to clean car.

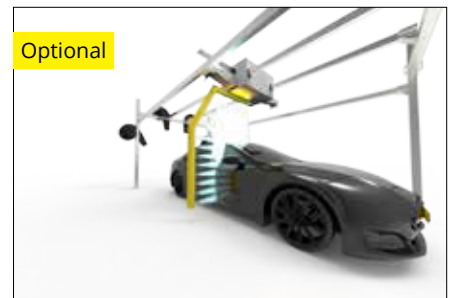


Multi-foam

Multi channels for foaming, applied by both sides, with tri-color will be beautiful to make colorful foam bubbles on paint.

Popular apply UV protectant foam an extra layer of silicone-based protection paint.

Multi channel support with various dosing pumps so it accept multi chemicals.



Bug-prep

An extra bug-prep chemical applied will remove bugs in front of car.

severe bug-prep for an immaculate shine, the bug prep is a great option to clean your car front area.



Chassis & Wheel wash unit

High pressure water for chassis wash and wheel wash before the car wash cycle start.



Optional

Spotless

Rainy spotless osmotic water from bridge wax tube.



360Guard

The 360 arm will securely stop to protect self and objects from the unexpected accident.



Hot-galvanized frame

A key benefit of using Hot Dip Galvanizing is its durability. Data shows that galvanizing can provide between 34 to 170 years of protection for steel.



Native voice indicator

Speaker with all languages: Welcome, Bienvenidos, Herzlich willkommen, Fáilte, Üdvözljük, Vitajte, Bienvenu, Добре дошли, Добро пожаловать....



Remote controller

With buttons start, stop, A, B, C, D pre-defined programs.



Optional

Native LED indicator

LED screen with all languages: Welcome, Bienvenidos, Herzlich willkommen, Fáilte, Üdvözljük, Vitajte, Bienvenu, Добре дошли, Добро пожаловать.



Optional

Osmosis

Reverse-osmotic system



Chassis
wheel wash



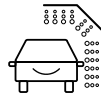
Bugprep



Presoak 1st



HP water



Presoak 2nd



HP water



Multifoam



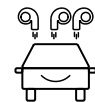
HP water



ArmWax



Spotless



Frame-Dryer

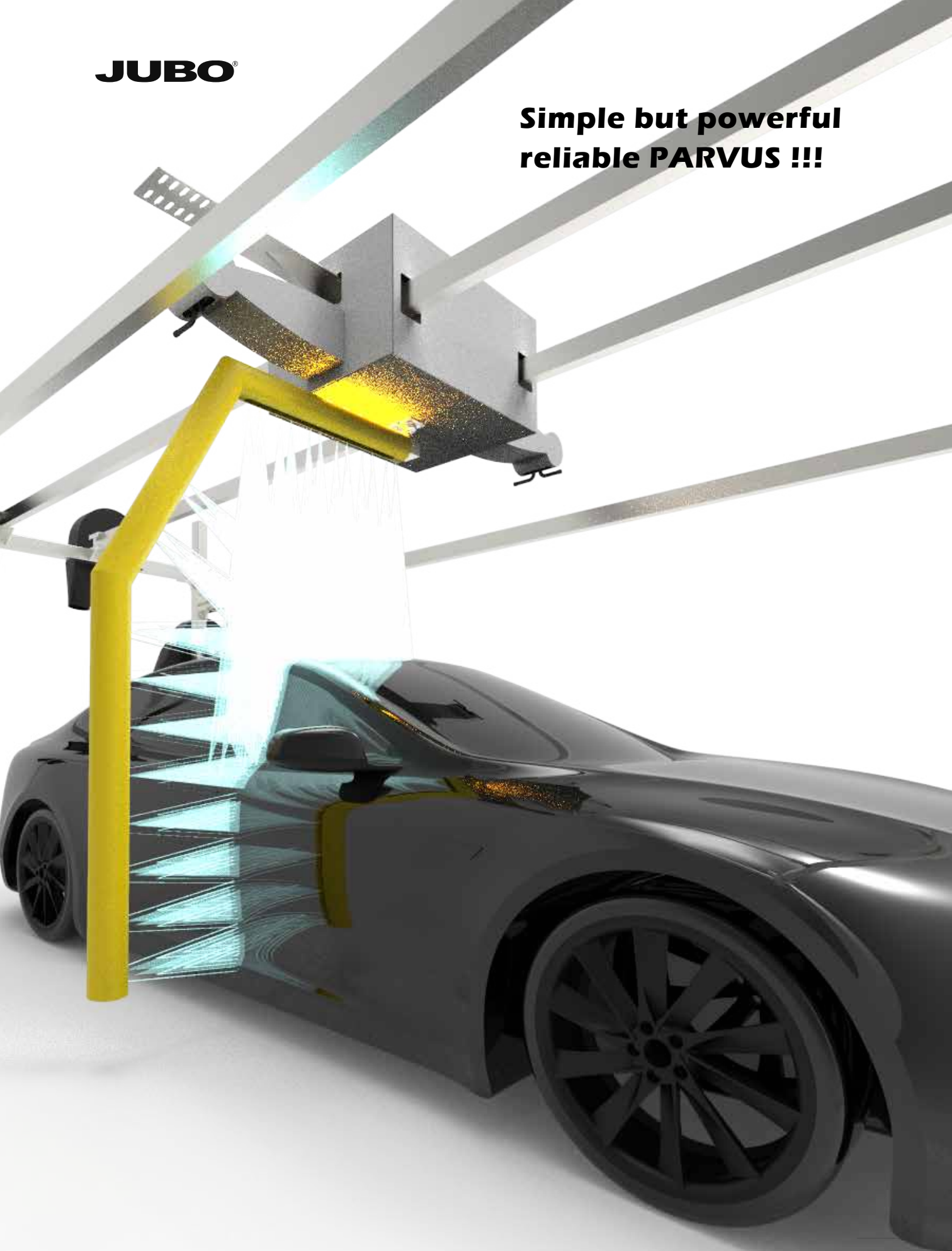


CIRCLE ROUND EXCELLENT GO!NEXT!

"PARVUS" MEANS SMALL IN LATIN

JUBO®

**Simple but powerful
reliable PARVUS !!!**



Technical data

Parameter	value
Power(PH/V/Hz)	AC 3/380/50 & 1/220/50, 13.5kW
Power cable	10mm ² copper cable
Contactors required	4P 80A
HP water	80-110bar, 100L/min, container capacity >=2000L
HP pump motor	11kW
Control system	Taiwan Delta computer system
Parking system	Germany Smart optical detection system
Car dimension detection system	Germany P+F ultrasonic system
Compressed air	0.75-0.9Mpa, air flow 500L/min
Min assembly dimensions	L6 x W3.5 x H2.7meters
Recommended assembly dimensions	L6.5 x W3.5 x H3.5meters
Max accepted vehicle size	L5.5 x W2.6 x H2.1 meters
Water consumption	80-220L/wash
Chemical consumption	0.02~0.08L/wash, adjustable
Power consumption	1kWH/wash
Wash speed	2-10min/wash
Drive control	VFD 0.55kw dual-axis stepless inverter speed control
Drive system	4WD synchronized wheel drive
Dryer	4kW / 5.5kW, accept 1/3/5/7/9/11 pcs dryers on frame
Swirl joint	304 stainless steel
360 Arm	304 stainless steel
Frame	Hot dip galvanized steel
Energy transmission	E-chain
Valve	Pneumatic control

Range of suitable vehicles

Sedan
SUV
MPV

PARVUS
JETTING.COM



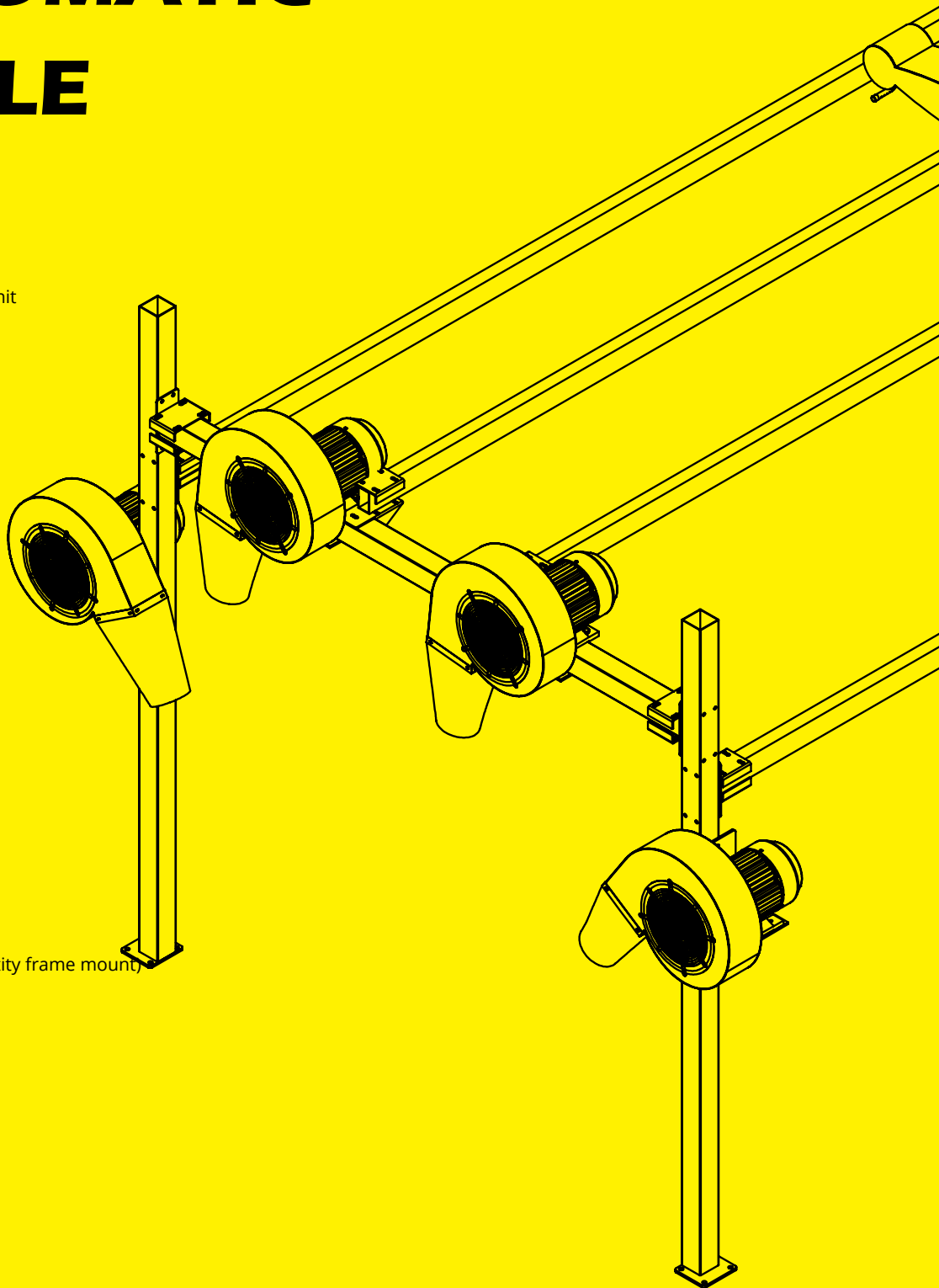
TOUCHLESS AUTOMATIC SIMPLE

Standard

- Chassis&wheel wash unit
- Pre-soak 1st
- HP-water
- 360arm
- 360guard
- Frame

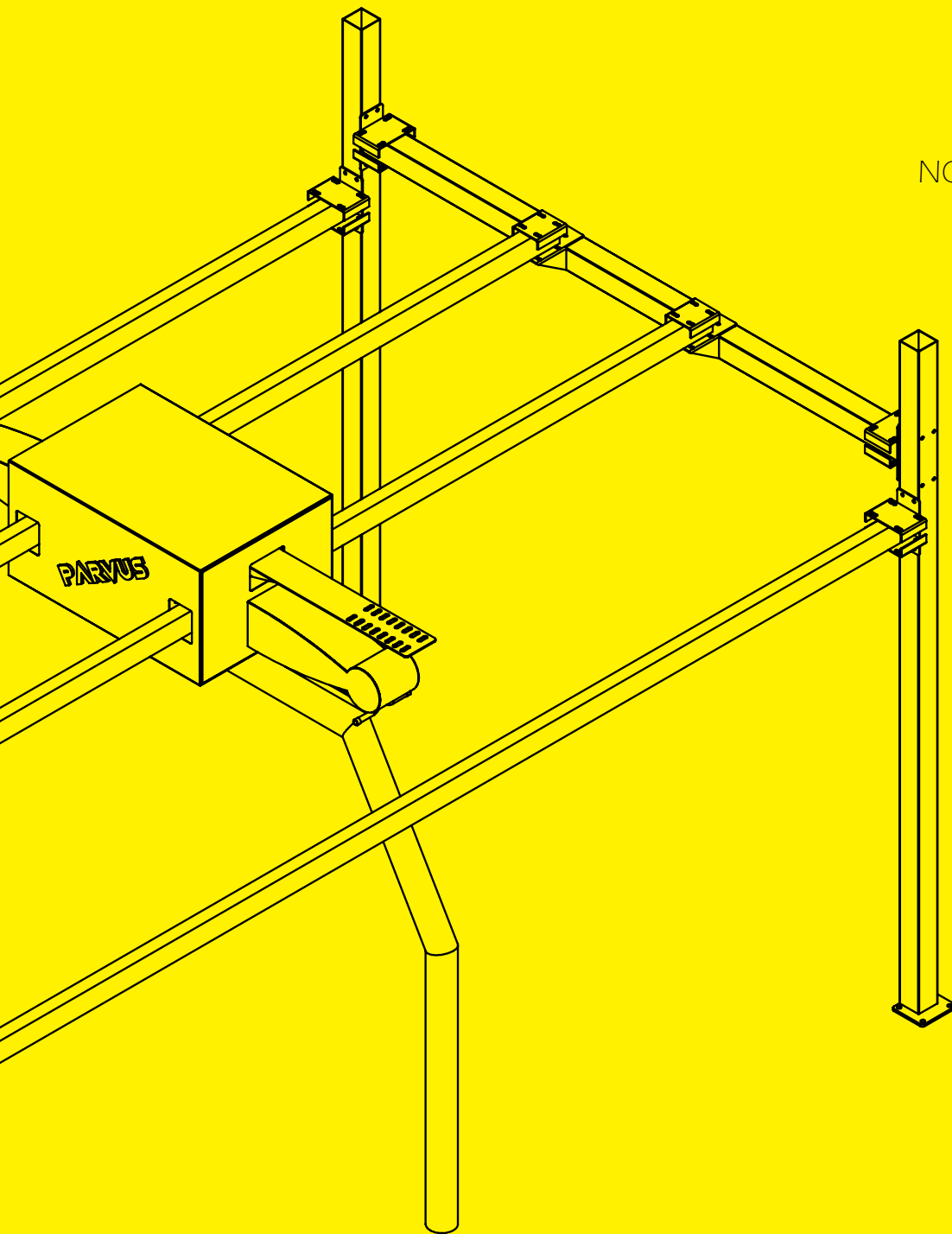
Options

- Pre-soak 2nd...
- Bug-prep
- Arm-wax
- Multi-foam...
- Spotless
- Osmosis
- LED screen
- LED illumination
- Dryer(accept any quantity frame mount)
- Others



JUBO[®]
ROBOT

BRUSHLESS
NON-ATTANDANT
FAST
RELIABLE
NON-STOP
NATIVE SIGN
NATIVE VOICE
HIGH-TECH
BEAUTY
MORDERN
ELEGANT
UNIQUE
SIMPLE



PARVUS TOUCHLESS CAR WASH ROBOTIC SYSTEM FOR BUSINESS SUCCESS

MULTI-FUNCTIONS, AUTOMATIC CAR WASH – JUBO PARVUS

Satisfied, reliable, non-stop, smart, simple, beauty, aesthetic, modern, urban



ARCHITECTURAL AESTHETICS ARE IMPORTANT

A aesthetic functional and robust steel framework can be very attractive and gorgeous. Customers can use the different material roof – either curved and transparent made from robust translucent or colorful polycarbonate, in another hand discrete, long-lasting trapezoidal sheet. Either way, a special recognized logo attached on the roof will catch the eyes in a distance. The elegant diffused LED lighting is recommended to be embedded into the underside of the roof for glorify shine in the night business time .

LEDs illumination technology is not only for 55% energy savings, but also save the material cost. For illumination lifespan, LEDs also last three to five times longer in comparison to conventional fluorescent tubes.

Contact JUBO to use the proper LED lights. On request,

each material can be 3D designed and imprinted for dear customers.

Distinctive high-quality

Customers require a high-quality, clean and professional washing site. JUBO vehicle washing system, in visually appealing modern design variants, exude high quality and technology.

Besides: the special technical design impresses customers an independent and distinctive recognition among the competitors.

MORE REVENUE BY ENHANCED OPTIONS

Mat Cleaner

An industrial automatic mat cleaner finished in 20seconds, offering water or waterless functions, with rack for temporary storage of mats during the cleaning process.

Air Water Tower

Precise inspection and regulation of the tyre pressure and refilling option for water, for

example for cleaning the windscreen, in one machine. Also available with integrated frost protection.

Air Tower

For precise inspection and regulation of the tyre pressure – also equipped with integrated frost protection on request.

Perfume Tower

Immediately neutralizes unpleasant odors in the vehicle, such as cigarette smoke. Obviously, the Perfume Tower is also available as a frost free and winterized version.

Solar water heater

Natural clean energy powered hot water from sun for hand clean and warm water supply to the washing system

Solar panel & battery

Natural clean energy from sun for site illumination and low power application

Boiler

Boiler by optimal air energy or arc-heating for warm water supply

Automatic door

Keep equipment in door will be an good idea for device running, entry to the site would be easier by an sensor based automatic door. Used for cold countries like Russian federal.

Spinning boom

Single or dual boom for multipurpose due add-on functions selected in the washing system. Combination of the booms will realize a neat and clean washing site.

Backup generator

Diesel or gas backup generator is welcome in African countries due the electricity power supply break-down time, so generator is always required to keep business running.

Osmosis system

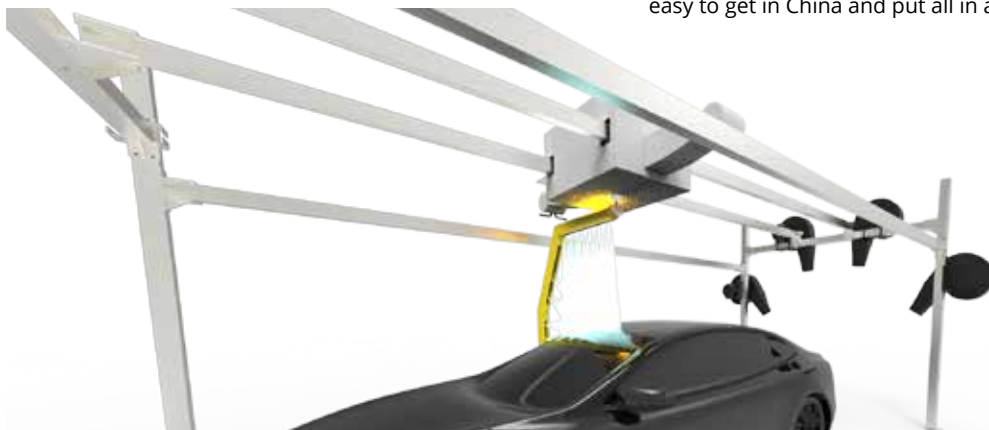
Osmotic softener water supply, usually for spotless cleaning process.

Towel

For vehicle paint clean in final step or interior cleaning.

Others

Welcome for more accessory inquiry, materials is always easy to get in China and put all in a container.



INDEPENDENT VACUUM

ECO: NICE AND EASY

The independent vacuum is commonly used both in self-serve vehicle wash system and automatic vehicle wash system, independent vacuum range can impress from the start with its performance and design. Stainless steel housing and coin/card payment is optional.

USER FRIENDLY PAYMENT

Coin/member card system optional.

A slot in the coin acceptor, which is suitable for both coins and tokens, effectively prevents un authorized start-up. Member card scanner is always easy access for regular customers.

ROBUS ERGONOMICS CLEAN

High suction power of the independent vacuum supported with a turbo impeller. The many inaccessible areas in today's vehicles, small gaps, edges and corners can also be easily reached thanks to the ergonomic suction nozzle which handled perfectly in your hand. To prevent the suction hose from coming into contact with the floor and thus prevent dirt from getting into the vehicle interior while vacuuming, we recommend ordering the automatic hose retraction at the same time.



DUAL VACUUMS

ECO: NICE AND EFFICIENT

Few customers visit the wash site just for the vacuum cleaner. But unfortunately, less will come back again if there is none available. For most customers, vehicle washes and interior cleaning go hand in hand. This requirement has to be taken into account. With the dual vacuums, we are not only meeting the needs of your customers, but also securing a piece of modern, reliable and low-maintenance technology on site.

Thorough and convenient the vacuums offer gentle and thorough cleaning performance and, at the same time, convenient handling. The ergonomic suction nozzle reaches even the most awkward edges and corners and when it is not being used, it is stored in a special storage device, protected against dirt.





CENTRAL VACUUMS

EASY VACUUM SYSTEM

Central vacuum

Central vacuums combine drive, filter and control in one compact unit, ensures excellent cleaning results, is designed for continuous operation, and is reliable and low-maintenance. All of this with almost zero susceptibility to failures.

Full power, low energy consumption

A side channel blower with intelligent regulation enables something which may sound contradictory. The modern drive concept ensure the vacuum takes min energy, while customers satisfied by full suction power.

Long suction hose

Thanks to top suction hose which is guided from above, can get into the furthest corners of the vehicle.

Modularity

With the central vacuum systems, the site owners can make decision on vacuum stations quantity. All expenses calculated by the vacuum station quantity.

Low-maintenance

Thanks to an automatic filter cleaning system, the system is low-maintenance and reliable in operation. A bypass ensures inflowing air in the piping and thus creates a self-cleaning effect.

ECOLOGICALLY CLEAN: CLEANING AGENTS

Matches the system perfectly: fully effective at all water hardness levels and specially formulated for JUBO vehicle wash systems. With special ingredients that protect the water-delivery parts against corrosion. Easily separable formulas are environmentally friendly.





THE FRANCHISE SYSTEM & DISTRIBUTOR: BE PART OF JUBO

Would you like to be a boss and at the same time benefit from the high level of recognition and technological advancement? Welcome aboard as a JUBO partner! You are in one of the best companies of forward-looking self-employed operators all over the world.

Partnership benefits

Always up to date

Thanks to the latest technology of your system, you are always in a position to meet the needs of your customers. In addition, targeted communication measures address your customers, guaranteeing you a clear lead over the competition.

We are there for you

If you have any questions regarding our partner system, operational management, technology or advertising measures, simply contact us for help or advice.

Annual partner meeting

A regular exchange of experiences with us and your colleagues is an important part of contact maintenance and also brings you great informative added value and new knowledge in matters of operational management, system technology and advertising.

Comprehensive assistance from advertising professionals

We support you with a variety of advertising measures such as displays, campaign packages and national advertising campaigns. This will win you new customers and set you apart from the competition.

High level of awareness

The JUBO brand is renowned worldwide. Benefit from global identity, a high level of awareness and a professional image.

Fair conditions

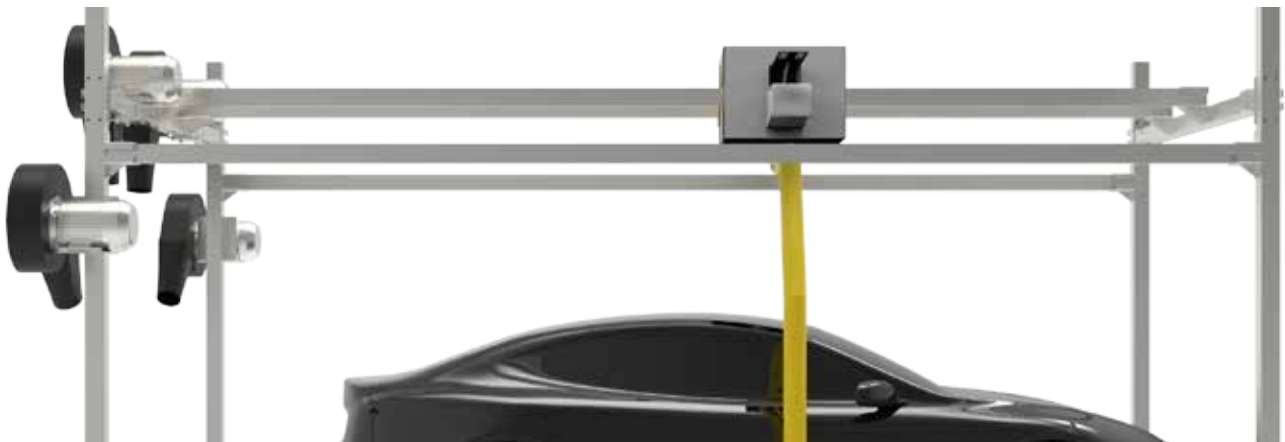
Whether cleaning agents, spare and wear parts, system accessories or advertising materials: we offer you everything you need at guaranteed fair conditions.

Certified confidence

Win the JUBO certification to win more confidence both on competition and mechanic system.

Expert further training

We regularly hold technical training sessions to further increase your expertise.



YOU MANAGE YOUR BUSINESS. WE PROVIDE THE SUPPORT YOU NEED.

Things can be much easier when people combine their talents. Pursuing goals together, complementing one another and learning from each other makes it so much easier to achieve success. One could call it the principle of progress. We call it JUBO Services. A promise of partnership. By professionals, for professionals.



JUBO Services

The complete range of services from a world market leader. And the perfect continuation of the advanced JUBO system with innovative tools, a tailored range of services and efficient software solutions.

JUBO Fleet

Fleet management

The intelligent solution for industry and role-specific recording and evaluation of all machine data and tools for increased efficiency, documentation and operations planning.

JUBO Care

Customer service

Service means trust. Always. Care is important. Fast reactions for maximum availability. Maximum value retention and compliance with all statutory requirements

JUBO Maintain

Service contracts

Every service package is precisely tailored to suit specific needs. The scope of services ranges from inspection as part of mandatory safety testing to servicing at the due date or the flat rate Full Service.

JUBO Customization

Personalized system is possible

Thanks to support of JUBO powerful technical team, customers' inspired ideas could be 3D designed and realized, for customization please contact JUBO team

info@juboinc.com





Innovative car wash manufacturer

Vehicle Wash System Manufacturer
JIAXING JUBO CO LTD
www.juboinc.com